

Model 2241 LA

1,3 A max out • 90-264 VAC input

- 3-step charge control with current detection as charge termination
- Universal input voltage (90-264 VAC)
- 2-pin IEC 320 mains connector
- Waterproof (IP67) version available
- Approvals:
 - Medically certified
 - Safety: EN 60601-1 ed. 3.1
 - Home healthcare EN 60601-1-11
 - EMC: EN 60601-1-2 ed. 4
 - UL approved
- Custom specifications on request:

Charging parameters, connectors, cords, logo print, housing/open frame/IP rating and certificates. For more information: [custom design info sheet](#)

Notes:

Plug-in/Desktop unit

Exchangeable AC and DC plugs

Standard DC output cord (exch. DC plugs):

Female conn. L 1.8m, AWG 20,UL 2468

Order plugs & mains cord separately



Available versions

On request

6V / 1,3A

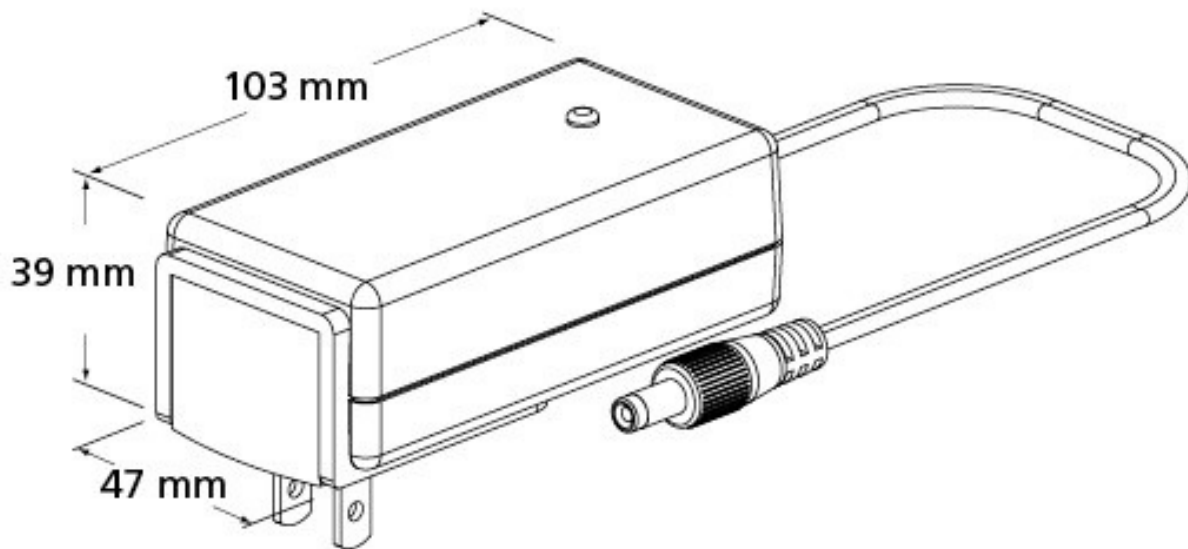
12V / 1A

24V / 0,5A

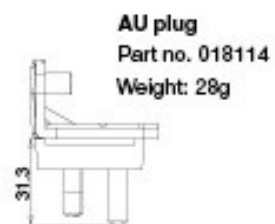
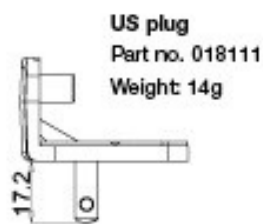
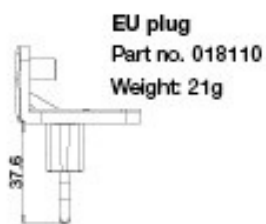
36V / 0,35A

48V / 270mA

SPECIFICATIONS FOR TYPE 2240/2241 Lead acid:	6V	12V	24V	48V		
Input voltage:	90 - 264VAC	90 - 264VAC	90 - 264VAC	90 - 264VAC		
Line frequency:	47 - 63Hz	47 - 63Hz	47 - 63Hz	47 - 63Hz		
Charge control:	Charge indication:					
Step 1. Charge current:	1.3A +5/-7%	1.0A +5/-7%	0.5A +5/-7%	270mA +5/-7%		
Step 2. Charge voltage:	7.35V	14.7V	29.4V	58.8V		
Step 3. Charge termination I <:	250mA ±20%	250mA ±20%	250mA ±20%	100mA ±20%		
Standby voltage:	6.85V	13.7V	27.4V	54.8V		
Max output power:	9.5W	14.7W	14.7W	14.7W		
Ripple:	< 100mV p-p	< 100mV p-p	< 100mV p-p	< 100mV p-p		
Efficiency (at 100% load, 230V) approx.:	67%	75%	82%	82%		
Switch frequency approx.:	40kHz					
Leakage current from battery with mains switched off.:	≈ 0					
Protection:	Protected against reversed polarity and short circuit proof					
Temperature range: *Operating:	+25 til +40°C					
*Storage:	+25 til +85°C					
Safety:	EN 60950-1, EN 60601-1, EN 60335-2-29, UL60601-1					
Insulation class :	Class II					
Insulation voltage: Primary – secondary:	4000VAC / 5640VDC					
EMC standards:	EMC med. EN 60601-1-2 / Emission EN 61000-6-3 / Immunity EN 6100-6-1					
MTBFat Ta = 30°C and full load: Calculated according to MIL – HDBK – 217F	>250 000 hours					
Input terminal	2-pins IEC 320 mains connector. 2241:changeable mains plug (EU, US and UK).					
Output terminals:	Cord with/without plug. Exchangeable plugs available.					
IP-Grade:	4X					
Dimensions:	90 x 45 x 32mm (2241: 103.5 x 46.8 x 38.7mm)					
Weight:	115g 2241: 140g					



EXCHANGEABLE AC PLUG ADAPTERS



Charging method A

STEP 1 - BOOST CHARGE

To start a charge cycle, connect the charger to the mains.

The charger is in constant current mode, charging with the maximum current indicated on the charger, the LED-indication on the charger is ORANGE. This step allows rapid charging of your battery until the battery reaches typically 80 - 95% of its capacity.



STEP 2 – TOP-UP CHARGE

The charger is in constant voltage mode, charging with a decreasing current until the current is below the charger's charge termination level (indicated on the charger).

The LED-indication on the charger is ORANGE. The battery is charged to its full capacity at the end of this step.



STEP 3 – FLOAT CHARGE

The LED-indication on the charger is GREEN and the battery is fully charged.

The charger is in standby mode. The charge voltage is at standby level and the charger may remain connected to the battery.

The charger will return to boost charging if the battery is used.

A load larger than the cut-off current will initiate a new charge cycle.

